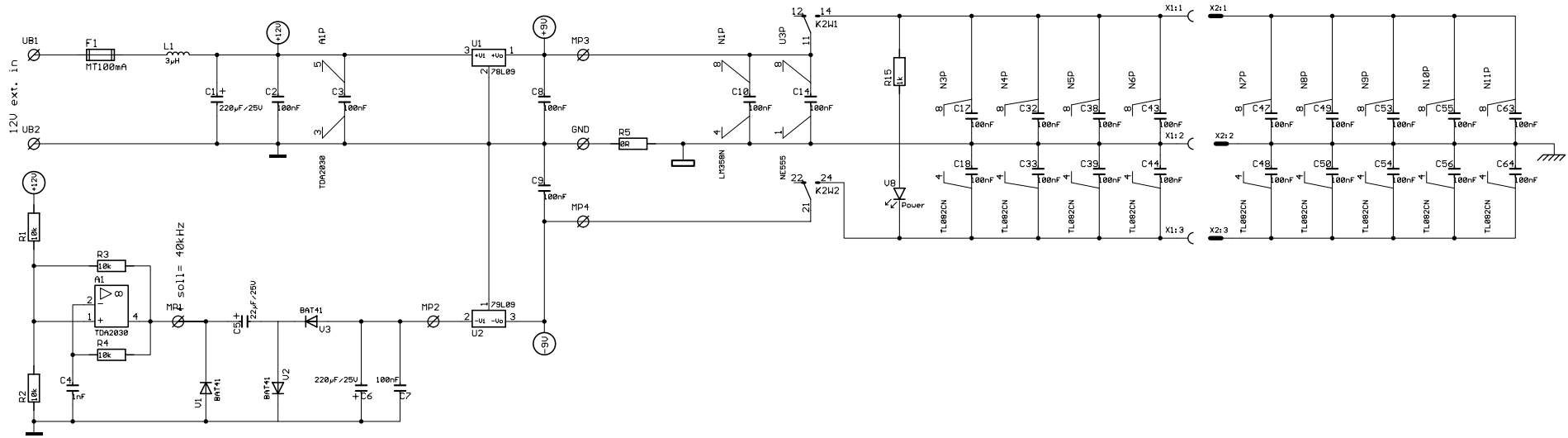
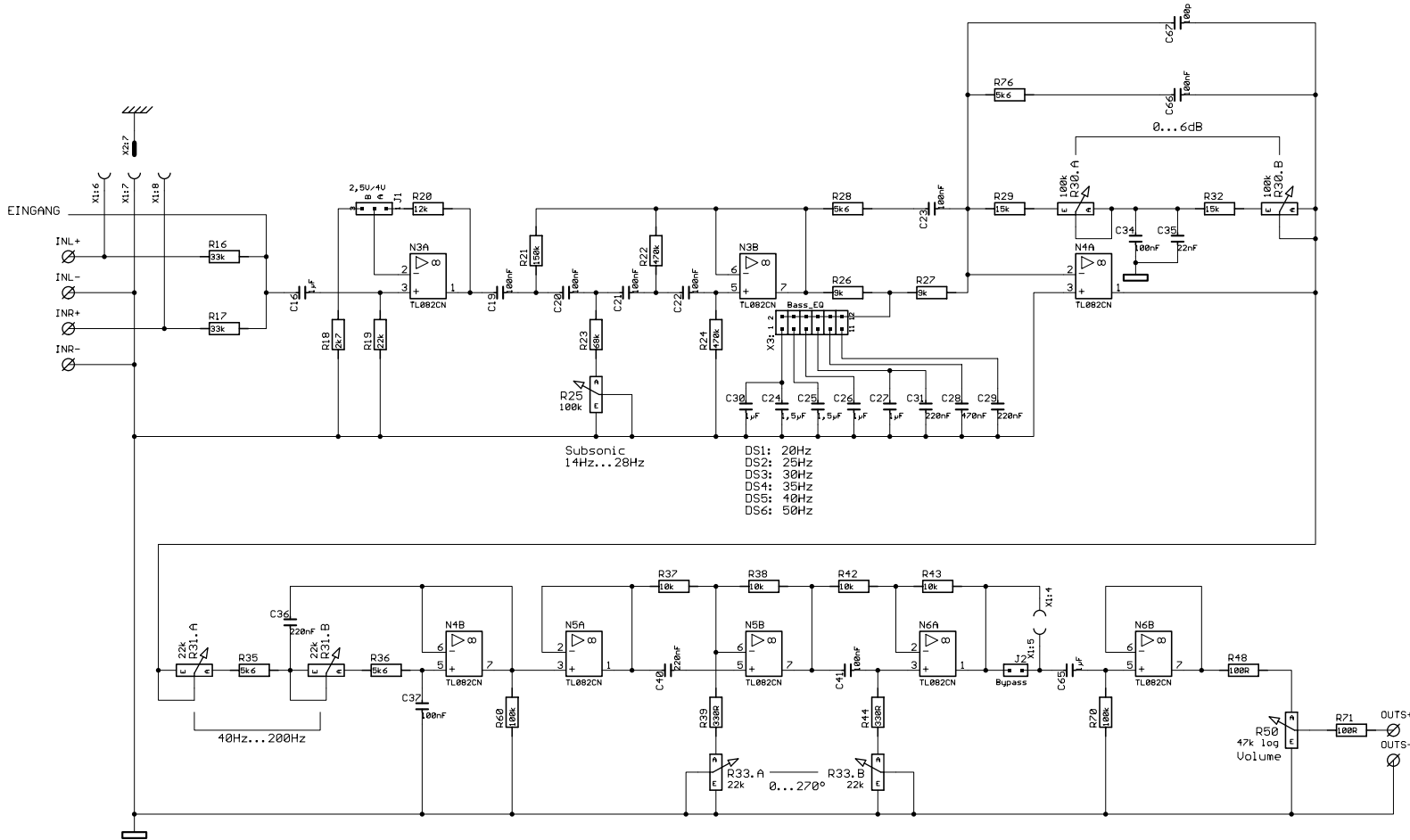


EINGANG





EINGANG

Subsonic
14Hz...28Hz

DS1: 20Hz
DS2: 25Hz
DS3: 30Hz
DS4: 35Hz
DS5: 40Hz
DS6: 50Hz

40Hz...200Hz

0...6dB

0...27°

OUTS+
OUTS-
Volume

